



Milcast

PRODUCT CATALOGUE

April 2026

Strength that matters.

ISO 9001

BUREAU VERITAS
Certification

No: AU001697-1





Milcast

03 5888 3051

sales@milcast.com.au

Milcast.com.au

Milcast Australia is a Gradian Group Company.



ABOUT MILCAST

Our knowledgeable team has been designing and manufacturing quality precast concrete products since 2000, with a strong reputation for providing quality products at an affordable price. Our clients span agricultural & commercial industries landowners, irrigation companies, councils, and Tier 1 construction contractors.

We can design and manufacture to order, to suit your specific needs, or simply select from our existing product range which includes:

Headwalls – culvert ends – pits – bay outlets (with aluminium door or rubber flap available) – rice flumes – channel and bankless channel checks- drop boxes – bubblers.



AGRICULTURE

VARIOUS PRODUCTS MADE TO SUIT YOUR IRRIGATION NEEDS

Our Precast Agricultural products are designed with ease of installation and effective water control in mind. They are built to last for decades of constant use and will withstand all weather conditions. Various sizes allow for more versatility in choosing what will work best for you.



CUSTOM

CUSTOM PRODUCTS DESIGNED TO GIVE THE CUSTOMER EXACTLY WHAT IS REQUIRED

Customising pits allows us to work with you to produce the best possible product to suit your needs. Block outs, bung placement, screw lift doors or rubber flaps are all examples of how we can cater to your requirements. Pit lids, trash screens and any extras you might want, we can provide.



INFRASTRUCTURE

BUILDING PRODUCTS TO LAST WELL INTO THE FUTURE

Branching out into infrastructure products allows us to cater to more businesses needing precast concrete. Whether you are upgrading an old structure or installing one for the first time, we are here to help.

CONTENTS

AGRICULTURE

4



Bay Outlets

5

Dropboxes / Bubbler - Small to Extra Large

6/7

Rice Flumes

8

Headwalls - Small

9

Headwalls - Medium & Large

10

Pipes - Concrete

11

Pipes - Plastic

12

Headwalls - Plastic Pipe

13

Agriculture - Custom

14

Automation - Milcast - Wisa Automation

15

CUSTOM

16



VicRoads - Pits, Risers and Lids

17

Irrigation - Pits, Risers and Lids

18

Optional Additions

19

INFRASTRUCTURE

20



Driveable Endwalls

21

Box Culverts/Base Slabs

22

Modular Bridge

24

Flumes & Panels

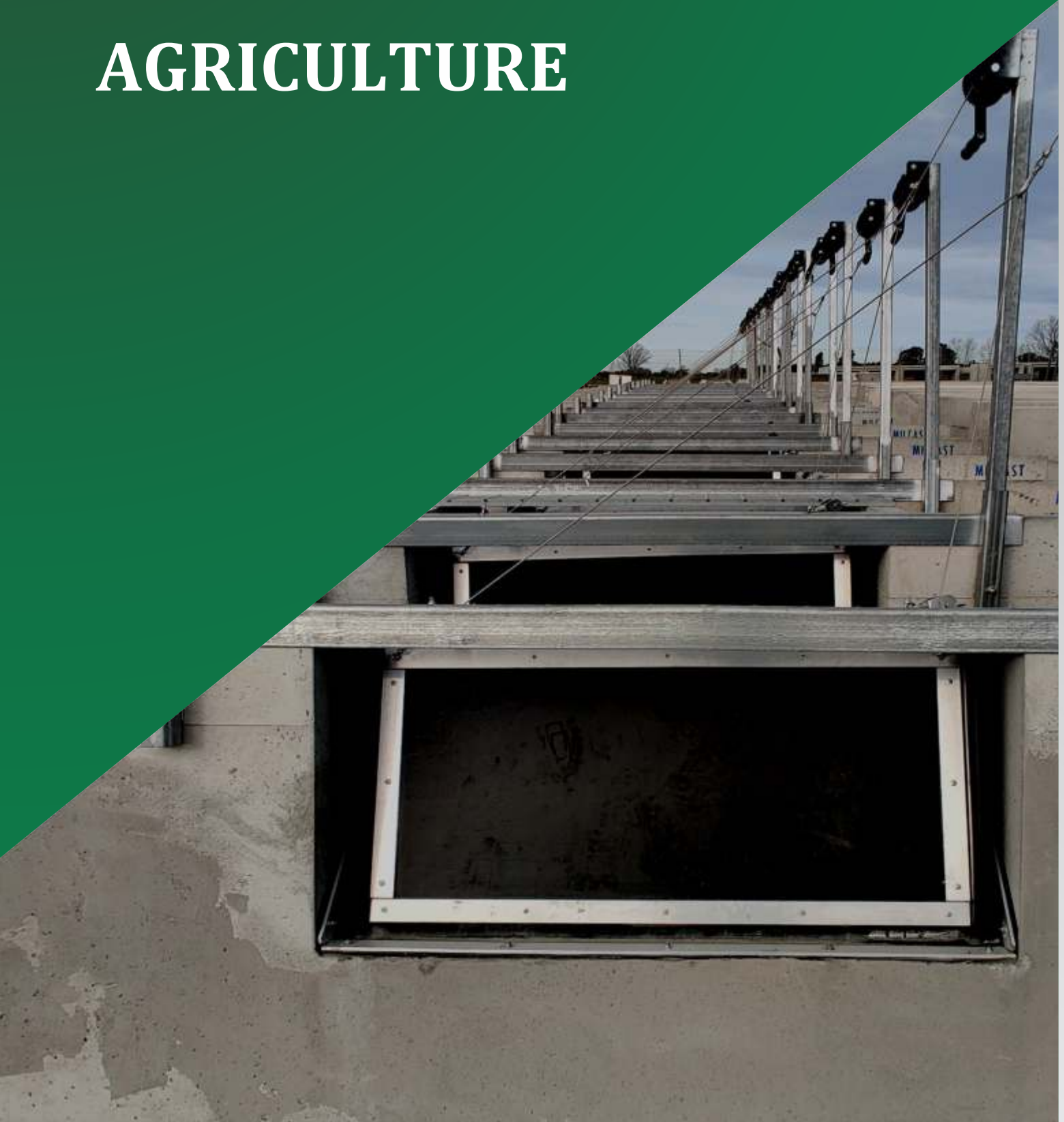
25

Infrastructure Custom

26

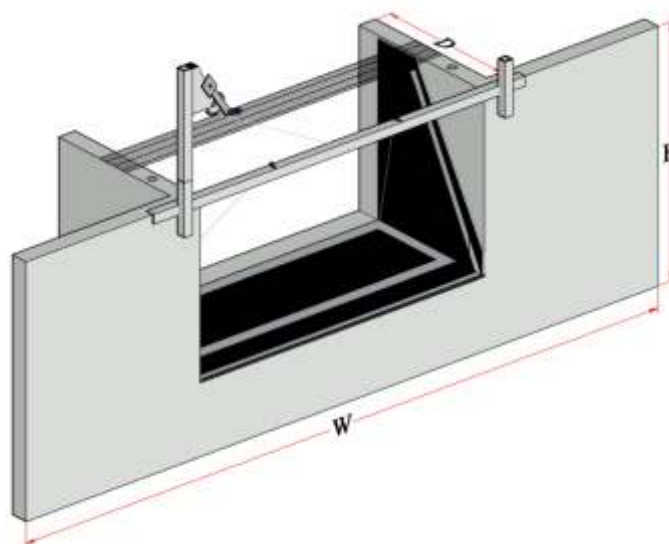


AGRICULTURE



BAY OUTLETS

Milcast's Bay Outlets are made with fibre-reinforced concrete and fitted with high-grade rubber or aluminum doors to suit a wide range of agricultural applications.



Product Features

- Automation Sleeve
- Wide wings to reduce erosion.
- Concrete backs reduce erosion and submergence, prevent stock damage, and weed obstruction.
- Removable winch fitted with a snap hook for easy operation.

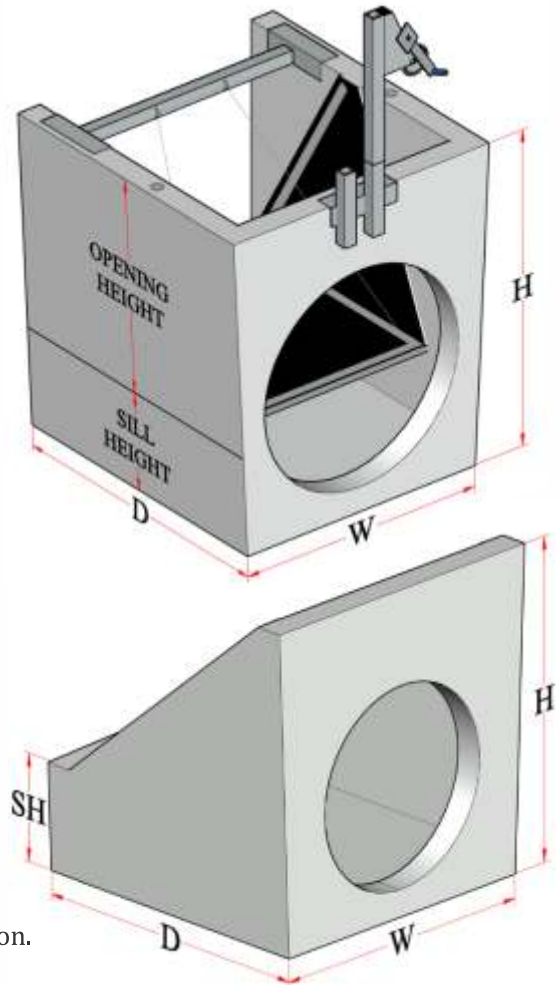
STOCK CODE	DESCRIPTION (incl. OPENING DIMENSIONS)	WIDTH (mm)	DEPTH (mm)	HEIGHT (mm)	WEIGHT (Approx.)
ABO4060R	BAY OUTLET: 400H X 600W OPENING. RUBBER DOOR AND CHAINS INCL. NO WINCH	1800	520	710	350 KGS
ABO4090R	BAYOUTLET: 400H X 900W OPENING. RUBBER DOOR, AUTOMATION SLEEVE AND WINCH INCL.	2100	520	710	400 KGS
ABO40120R	BAYOUTLET: 400H X 1200W OPENING. RUBBER DOOR, AUTOMATION SLEEVE AND WINCH INCL.	2400	520	710	400 KGS
ABO6075R	BAYOUTLET: 600H X 750W OPENING. RUBBER DOOR, AUTOMATION SLEEVE AND WINCH INCL.	2400	680	840	550 KGS
ABO60120R	BAYOUTLET: 600H X 1200W OPENING. RUBBER DOOR, WALKWAY, AUTOMATION SLEEVE AND WINCH INCL.	3000	820	910	700 KGS
ABO60180R	BAY OUTLET: 600H X 1800W OPENING. RUBBER DOOR, WALKWAY, AUTOMATION SLEEVE AND WINCH INCL.	4000	900	1000	900 KGS
ABO80180R	BAY OUTLET: 800H X 1800W OPENING. RUBBER DOOR, WALKWAY, AUTOMATION SLEEVE AND WINCH INCL.	4000	900	1200	1500 KGS
ABO100180R	BAY OUTLET: 1000H X 1800W OPENING. RUBBER DOOR, WALKWAY, AUTOMATION SLEEVE AND WINCH INCL.	4000	900	1400	1600 KGS
ABCC9090R	BANKLESS CHANNEL CHECK: 900H X 900W OPENING. RUBBER DOOR, WINCH & WALKWAY INCL.	2400	690	1140	820 KGS
ABCC9090D	BANKLESS CHANNEL CHECK: 900H X 900W OPENING. DOOR, WINCH & WALKWAY INCL.	2400	690	1140	820 KGS
ACC9090R	BAY OUTLET/CHANNEL CHECK: 900H X 900W OPENING. RUBBER DOOR, WINCH AND WALKWAY INCL.	3300	910	1350	1400 KGS
STOCK CODE	OPTIONAL ADDITIONS/DEDUCTIONS*				
WALKWAY	ADD / REMOVE: STANDARD BOLT ON WALKWAY				
WINCH / DOOR	ADD / REMOVE: WINCH / DOOR				

DROPBOXES / BUBBLERS

Milcast's Drop Boxes and Bubblers are made using fiber-reinforced concrete and are one of our best solutions for high-flow layouts. The Drop Boxes are fitted with a high-grade rubber door to achieve precise control of water flow. Bubblers on the other hand are installed at the discharge end of the pipe to prevent scouring and promote bubbling to reduce water flow velocity.

Product Features

- Automation Sleeve*
- Fitted with high-grade rubber door*
- Tapered bung for quick installation with an option for OD bung to accommodate plastic pipes.
- Removable winch fitted with a snap-hook for easy operation.



STOCK CODE	DESCRIPTION (incl. OPENING DIMENSIONS)	WIDTH (mm)	DEPTH (mm)	HEIGHT (mm)	SILL HEIGHT (SH) (mm)	WEIGHT (Approx.)
DBLO-450	DROPBOX: 450H OPENING, SUITS UP TO 525MM DIA. CONCRETE PIPE - RUBBER DOOR, AUTOMATION SLEEVE AND WINCH INCL.	1000	920	900	450	550 KGS
DBLO-650	DROPBOX: 650H OPENING, SUITS UP TO 525MM DIA. CONCRETE PIPE. RUBBER DOOR, AUTOMATION SLEEVE AND WINCH INCL.	1000	920	900	250	550 KGS
DBHI-450	DROPBOX: 450H OPENING. SUITS UP TO 450MM DIA. CONCRETE PIPE. RUBBER DOOR, AUTOMATION SLEEVE AND WINCH INCL.	860	1190	1050	600	700 KGS
DBHI-650	DROPBOX: 650H OPENING. SUITS UP TO 450MM DIA. CONCRETE PIPE. RUBBER DOOR, AUTOMATION SLEEVE AND WINCH INCL.	860	1190	1050	400	700 KGS
DBL-750	DROPBOX: 750H OPENING, SUITS UP TO 750MM DIA. CONCRETE PIPE. RUBBER DOOR, AUTOMATION SLEEVE AND WINCH INCL.	1180	1230	1310	560	1200 KGS
DBL-900	DROPBOX: 900H OPENING. SUITS UP TO 750MM DIA. CONCRETE PIPE. RUBBER DOOR, AUTOMATION SLEEVE AND WINCH INCL.	1180	1230	1310	410	1200 KGS
BUBBLER-1800	BUBBLER 1800 HIGH SUITS UP TO 900MM DIA. CONCRETE PIPE.	1280	1280	1800	880	2250 KGS
BUBBLER-1500	BUBBLER 1500 HIGH SUITS UP TO 900MM DIA. CONCRETE PIPE	1280	1280	1500	580	1900 KGS
BUBBLER-1200	BUBBLER 1200 HIGH SUITS UP TO 750MM DIA. CONCRETE PIPE	1180	1140	1200	400	1000 KGS
BUBBLER-1000	BUBBLER 1000 HIGH SUITS UP TO 600MM DIA. CONCRETE PIPE	1180	1140	1000	400	750 KGS
					550	800 KGS

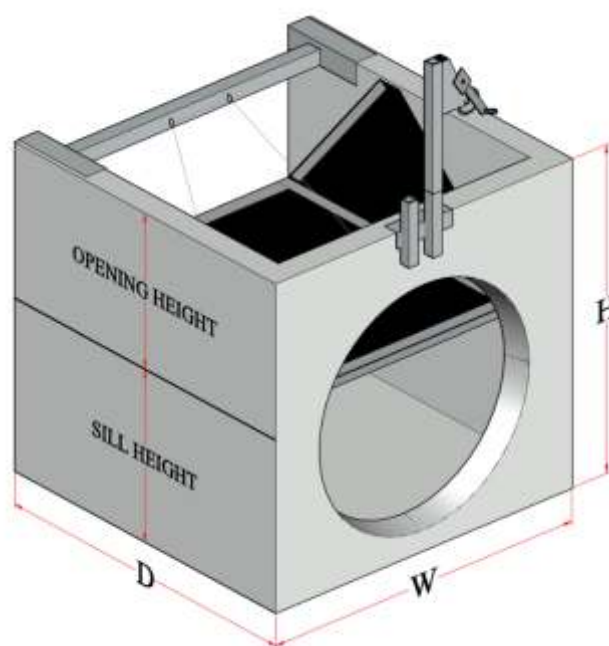
DROPBOX EXTRA LARGE

Milcast's EXTRA LARGE Drop Boxes are an advanced, extended range of drop boxes engineered to deliver superior performance in water management applications. Designed with a higher water holding capacity, these units ensure efficient handling and distribution even under demanding conditions.

Equipped with a high-grade rubber flap, they provide precise and controlled regulation of water flow, minimizing wastage while maximizing operational efficiency. Their robust construction and durable materials make them ideal for long-term use in challenging environments, offering reliability, consistency, and ease of operation. These drop boxes are particularly suitable for large-scale irrigation systems, industrial water control setups, and applications where accuracy and capacity are critical to performance.

Product Features

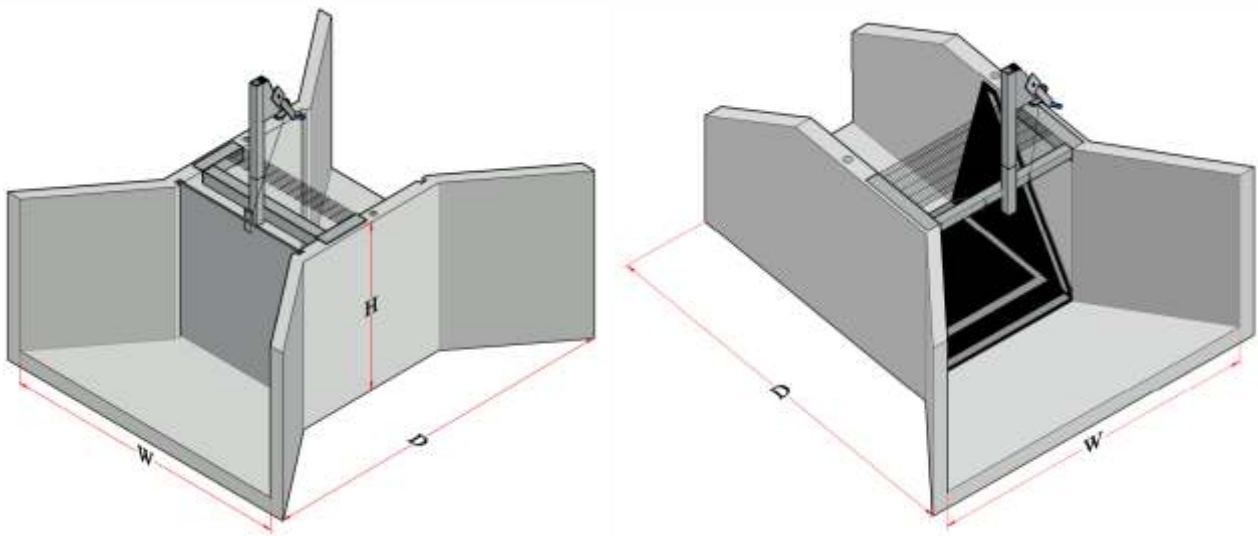
- Automation Sleeve*
- Fitted with high-grade rubber door*
- Tapered bung for quick installation with an option for OD bung to accommodate plastic pipes.
- Removable winch fitted with a snap-hook for easy operation.



STOCK CODE	I.D. (mm)	DESCRIPTION (incl. OPENING DIMENSIONS)	WIDTH (mm)	DEPTH (mm)	HEIGHT (mm)	SILL HEIGHT (mm)	WEIGHT (Approx.)
DBXL-900	1080W X 1080D	DROPBOX EXTRA LARGE: 900H OPENING . SUITS UP TO 900MM DIA. CONCRETE PIPE. RUBBER DOOR, AUTOMATION SLEEVE AND WINCH INCL	1280	1280	1500	600	2100 KGS
DBXL-900-P120	1200W X 1200D	DROPBOX EXTRA LARGE: 900H OPENING . SUITS UP TO 900MM DIA. CONCRETE PIPE. RUBBER DOOR, AUTOMATION SLEEVE AND WINCH INCL	1400	1400	1500	600	3400 KGS
DBXL-900-P140	1400W X 1400D	DROPBOX EXTRA LARGE: 900H OPENING . SUITS UP TO 1050MM DIA. CONCRETE PIPE. RUBBER DOOR, AUTOMATION SLEEVE AND WINCH INCL	1700	1700	1500	600	-
DBXL-900-P170	1700W X 1700D	DROPBOX EXTRA LARGE: 900H OPENING . SUITS UP TO 1200MM DIA. CONCRETE PIPE. RUBBER DOOR, AUTOMATION SLEEVE AND WINCH INCL	2000	2000	1900	1000	-

RICE FLUMES

Milcast’s Rice flumes, essential for efficient rice cultivation and processing, are typically available in two distinct shapes and sizes to cater to different needs. Our structures are crafted from high-grade concrete. All rubber doors are manufactured using high-grade “woven” rubber. The Rice flumes are designed to withstand the rigors of agricultural environments while providing exceptional flexibility and durability.



Product Features

RSF900DCD

- Removable winch fitted with a snap hook for easy operation.
- High grade walkway for access assistance.
- Board control rebates.
- Aluminum slide door.

RSF900R

- Removable winch fitted with a snap hook for easy operation.
- High grade walkway for access assistance.
- Fitted with a high-grade rubber door.

STOCK CODE	DESCRIPTION (incl. OPENING DIMENSIONS)	WIDTH (mm)	DEPTH (mm)	HEIGHT (mm)	WEIGHT (Approx.)
RSF900DCD	RICE FLUME: 900W X 1000H OPENING. DUAL WINGS. BOARD CONTROL REBATES, WALKWAY, WINCH AND SLIDE DOOR INCL.	1800	1800	1080	1200 KGS
RSF900R	RICE FLUME: 900W X1000H OPENING. FRONT WINGS ONLY. WALKWAY, WINCH AND RUBBER DOOR INCL.	1800	2300	1080	1600 KGS

HEADWALLS

SMALL

Milcast designs and produces an extensive range of Headwalls. The designs can be customized to suit your on-farm requirements.

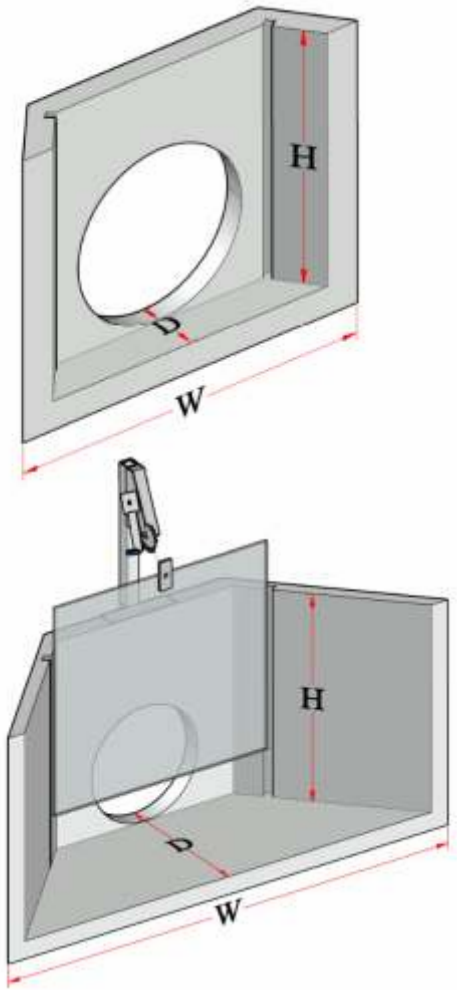
Product Features

PLAIN (P)

- High strength, high durability
- Tapered bung for quick installation with an option for OD bung to accommodate plastic pipes.

Dual Control (DC)

- Automation Sleeve*
- Fitted with high-grade rubber door*
- Tapered bung for quick installation with an option for OD bung to accommodate plastic pipes.
- Removable winch fitted with a snap-hook for easy operation.



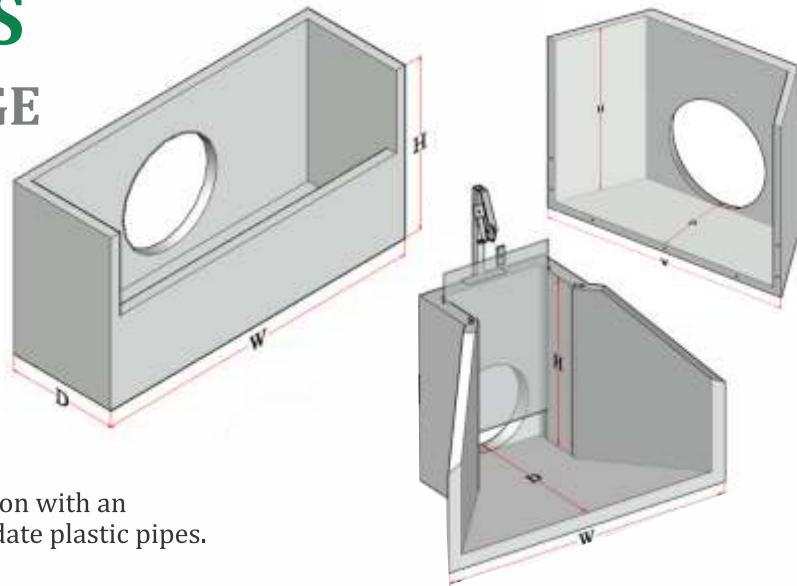
STOCK CODE	DESCRIPTION	WIDTH (mm)	DEPTH (mm)	HEIGHT (mm)	WEIGHT (Approx.)
RC	ROAD CULVERT: 600H. SUITS UP TO 375MM DIA. CONCRETE PIPE - PLAIN NO DOOR	900	550	675	200 KGS
ARC	ROAD CULVERT: 750H. SUITS UP TO 450MM DIA. CONCRETE PIPE - PLAIN NO DOOR	1500	480	750	290 KGS
ACSDC	CULVERT END/HEADWALL: 750H. SUITS UP TO 450MM DIA. CONCRETE PIPE - BOARD CONTROL REBATES AND SLIDE DOOR INCL.	1500	670	750	500 KGS
APESD	PIPE END: 750H. SUITS UP TO 375MM DIA CONCRETE PIPE - DOOR INCL.	800	185	750	120 KGS
APELD	PIPE END: 900H. SUITS UP TO 600MM DIA CONCRETE PIPE - DOOR INCL.	1240	240	900	270 KGS
ADID	DRAIN INLET: 900H. 300MM DIA CONCRETE PIPE ONLY. DOOR INCL.	1400	520	900	320 KGS
ACLCP	CULVERT END/HEADWALL: 900H. SUITS UP TO 600MM DIA CONCRETE OR PLASTIC PIPE - PLAIN - NO DOOR.	2050	640	900	500 KGS
ACLDC	CULVERT END/HEADWALL: 900H. SUITS UP TO 600MM DIA CONCRETE OR PLASTIC PIPE - SLIDE DOOR INCL.	2050	690	900	600 KGS
ACLDC	CULVERT END/HEADWALL: 900H. SUITS UP TO 600MM DIA CONCRETE OR PLASTIC PIPE - BOARD CONTROL REBATES, SLIDE DOOR INCL.	1500	680	900	600 KGS

HEADWALLS

MEDIUM & LARGE

Product Features

- Reduces silt build up.
- Slows and spreads flow.
- Allows deeper installation.
- High strength, high durability.
- Tapered bung for quick installation with an option for OD bung to accommodate plastic pipes.



STOCK CODE	DESCRIPTION	WIDTH (mm)	DEPTH (mm)	HEIGHT (mm)	WEIGHT (Approx.)
------------	-------------	------------	------------	-------------	------------------

HEADWALLS - MEDIUM

ACHP	CULVERT END/HEADWALL: 1200H. SUITS UP TO 600 MM DIA. CONCRETE PIPE - PLAIN - NO DOOR	2100	640	1200	650 KGS
ACHD	CULVERT END/HEADWALL: 1200H. SUITS UP TO 600MM DIA. CONCRETE PIPE - WINCH AND SLIDE DOOR INCL.	2100	640	1200	720 KGS
ACHDC	CULVERT END/HEADWALL: 1200H. SUITS UP TO 600MM DIA. CONCRETE PIPE - BOARD CONTROL REBATES, WINCH AND SLIDE DOOR INCL.	2160	1140	1200	1200 KGS
ACTP	CULVERT END/HEADWALL: 1500H. SUITS UP TO 900MM DIA. CONCRETE PIPE - PLAIN - NO DOOR.	1860	740	1500	1200 KGS
ACTDC	CULVERT END/HEADWALL: 1500H. SUITS UP TO 900MM DIA. CONCRETE PIPE - BOARD CONTROL REBATES, WINCH AND SLIDE DOOR INCL.	1860	740	1500	1100 KGS

HEADWALLS - LARGE

ACB	CULVERT END/HEADWALL: 1800H. SUITS UP TO 1200MM DIA. CONCRETE PIPE - PLAIN - NO DOOR.	2700	980	1800	2100 KGS
ACX	CULVERT END/HEADWALL: 2100H. SUITS UP TO 1500MM DIA. CONCRETE PIPE - PLAIN - NO DOOR	3200	1150	2100	3100 KGS
ACXLP	CULVERT END/HEADWALL: 2100H. SUITS UP TO 1 X 900MM / 2 X 825 DIA. CONCRETE PIPE - PLAIN - NO DOOR.	3700	1020	2100	3000 KGS
DB-HW	DOUBLE BARREL HEADWALL: 3600H. SUITS UP TO MAX. 2400MM DIA. PIPE - PLAIN - NO DOOR	3350	1650	3600	-

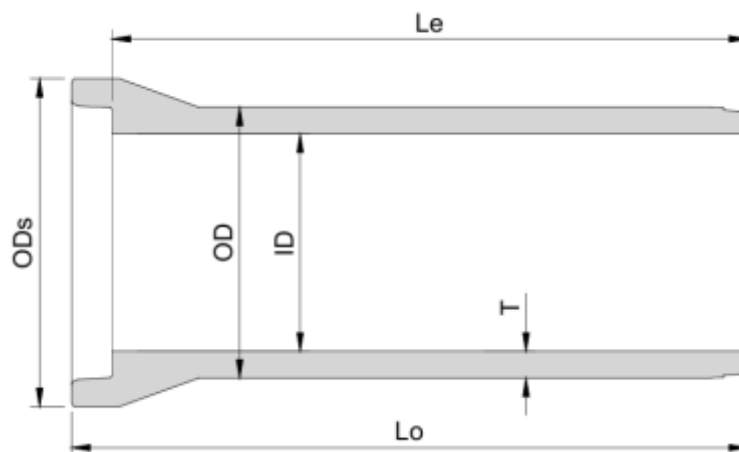
EXTRAS

WINCH-S	SMALL WINCH				-
WINCH-L	LARGE WINCH				-
ASILL	HEADWALL SILL - UP TO 500MM HIGH (EXCL. ACB AND ACX)				-
ASILL-L	HEADWALL SILL - 500MM-1000MM HIGH (INCL. ACB AND ACX)				-
SLD	SCREW LIFT DOOR, BOLT-ON, VARIOUS SIZES AVAILABLE				-

PIPES

CONCRETE

Milcast have preferential access to and can supply the full range of reinforced concrete pipes. All pipes supplied are compatible with Milcast's product range.



STOCK CODE	DESCRIPTION	ODs (mm)	OD (mm)	ID (mm)	T (mm)	Lo (mm)	Le (mm)	WEIGHT (Approx.)
MC-SPC375-CL4	375MM DIA. CONCRETE PIPE, SPIGGOT-BELLEND	540	453	375	39	2500	2400	360 KGS
MC-SPC450-CL4	450MM DIA. CONCRETE PIPE, SPIGGOT-BELLEND	640	538	450	44	2500	2400	495 KGS
MC-SPC525-CL4	525MM DIA. CONCRETE PIPE, SPIGGOT-BELLEND	730	623	525	49	2500	2400	662 KGS
MC-SPC600-CL3	600MM DIA. CONCRETE PIPE, SPIGGOT-BELLEND	820	698	600	49	2500	2400	735 KGS
MC-SPC675-CL3	675MM DIA. CONCRETE PIPE, SPIGGOT-BELLEND	910	815	675	70	2500	2390	924 KGS
MC-SPC750-CL3	750MM DIA. CONCRETE PIPE, SPIGGOT-BELLEND	1000	910	750	80	2500	2390	1079 KGS
MC-SPC825-CL3	825MM DIA. CONCRETE PIPE, SPIGGOT-BELLEND	1085	1005	825	90	2500	2390	1325 KGS
MC-SPC900-CL3	900MM DIA. CONCRETE PIPE, SPIGGOT-BELLEND	1200	1080	900	90	2500	2390	1659 KGS
MC-SPC1050-CL2	1050MM DIA. CONCRETE PIPE, SPIGGOT-BELLEND	1390	1200	1050	75	2500	2390	1940 KGS
MC-SPC1200-CL2	1200MM DIA. CONCRETE PIPE, SPIGGOT-BELLEND	1540	1356	1200	78	2500	2390	2350 KGS
MC-SPC1350-CL2	1350MM DIA. CONCRETE PIPE, SPIGGOT-BELLEND	1700	1520	1350	85	2500	2380	2820 KGS
MC-SPC1500-CL2	1500MM DIA. CONCRETE PIPE, SPIGGOT-BELLEND	1880	1680	1500	90	2500	2380	3230 KGS
MC-SPC1650-CL2	1650MM DIA. CONCRETE PIPE, SPIGGOT-BELLEND	2050	1830	1650	90	2500	2380	3572 KGS
MC-SPC1800-CL2	1800MM DIA. CONCRETE PIPE, SPIGGOT-BELLEND	2240	1990	1800	95	2500	2370	4105 KGS
MC-SPC1950-CL2	1950MM DIA. CONCRETE PIPE, SPIGGOT-BELLEND	2400	2150	1950	100	2500	2370	4851 KGS
MC-SPC2100-CL2	2100MM DIA. CONCRETE PIPE, SPIGGOT-BELLEND	2550	2300	2100	100	2500	2370	4900 KGS
MC-SS375-CL4	375MM DIA. CONCRETE PIPE, SPIGGOT-SPIGGOT	-	453	375	39	-	2300	450 KGS
MC-SS450-CL4	450MM DIA. CONCRETE PIPE, SPIGGOT-SPIGGOT	-	538	450	44	-	2300	415 KGS
MC-SS525-CL4	525MM DIA. CONCRETE PIPE, SPIGGOT-SPIGGOT	-	623	525	49	-	2300	510 KGS
MC-SS600-CL2	600MM DIA. CONCRETE PIPE, SPIGGOT-SPIGGOT	-	698	600	49	-	2300	595 KGS
MC-SS675-CL2	675MM DIA. CONCRETE PIPE, SPIGGOT-SPIGGOT	-	785	675	55	-	2300	763 KGS
MC-SS750-CL2	750MM DIA. CONCRETE PIPE, SPIGGOT-SPIGGOT	-	870	750	60	-	2300	913 KGS
MC-SS900-CL2	900MM DIA. CONCRETE PIPE, SPIGGOT-SPIGGOT	-	1046	900	73	-	2300	1322 KGS
MC-SS1050-CL2	1050MM DIA. CONCRETE PIPE, SPIGGOT-SPIGGOT	-	1200	1050	75	-	2300	1560 KGS
MC-SS1200-CL2	1200MM DIA. CONCRETE PIPE, SPIGGOT-SPIGGOT	-	1356	1200	78	-	2300	1401 KGS
MC-SS1350-CL2	1350MM DIA. CONCRETE PIPE, SPIGGOT-SPIGGOT	-	1520	1350	85	-	2300	2400 KGS
MC-SS1500-CL2	1500MM DIA. CONCRETE PIPE, SPIGGOT-SPIGGOT	-	1680	1500	90	-	2300	2095 KGS
RR	ADDITIONAL RUBBER RINGS – ALL SIZES							

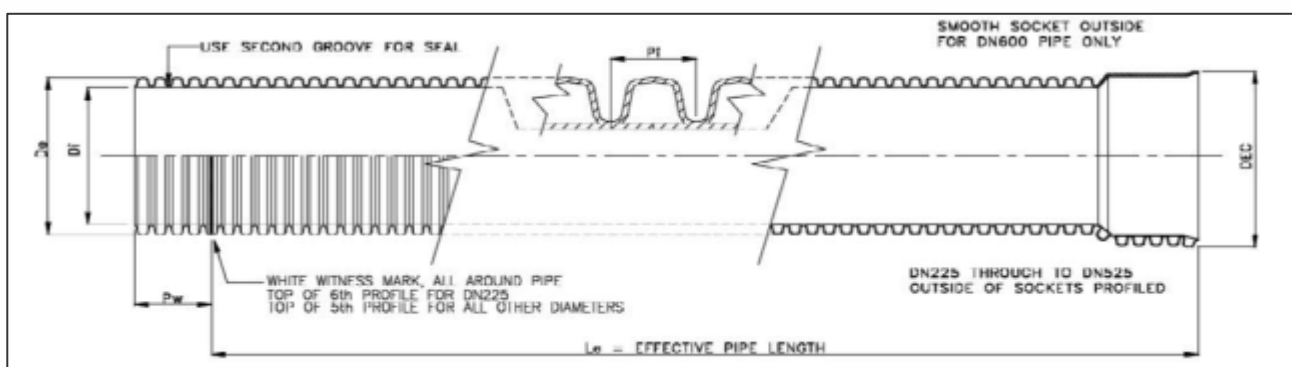
PIPES

PLASTIC



Milcast have preferential access to and can supply the full range of plastic pipes. All pipes supplied are compatible with Milcast's product range. Manufactured from robust and impact resistant plastic. The plastic pipes are light weight and easy to install. The pipes have a long-service life and are resistant to abrasion and corrosion.

- Smooth internal bore provides excellent hydraulic performance.
- Plastic pipes are recognised for their corrosion resistance offering a durable pipeline solution.
- Light-weight pipes allow for ease of installation.
- Water-tight joints to resist leakage and tree-root intrusion.



DN	MEAN PIPE OD	MIN. PIPE ID Di (mm)	MAX SOCKET OD DEC (mm)	LENGTH WITNESS MARK Pw (mm)	PROFILE PITCH Pi (mm)	APPROX. PIPE MASS (kg/m)	EFFECTIVE LENGTH Le (mm) ±30
DN225	259	225	305	135	24.9	4	6010
DN300	344	300	403	147	33.2	7	6020
DN375	428	373	502	176	39.8	10	6025
DN450	514	447	603	222	49.8	14	6030
DN525	600	522	704	254	56.9	17	6015
DN600	682	596	750	296	66.4	22	5810
DN750	843	736	896	319	79.7	27	6012
DN900	1010	877	1072	398	99.6	36	6130
DN1000	-	-	-	-	-	-	-
DN1200	1342	1170	-	-	132.8	68	-

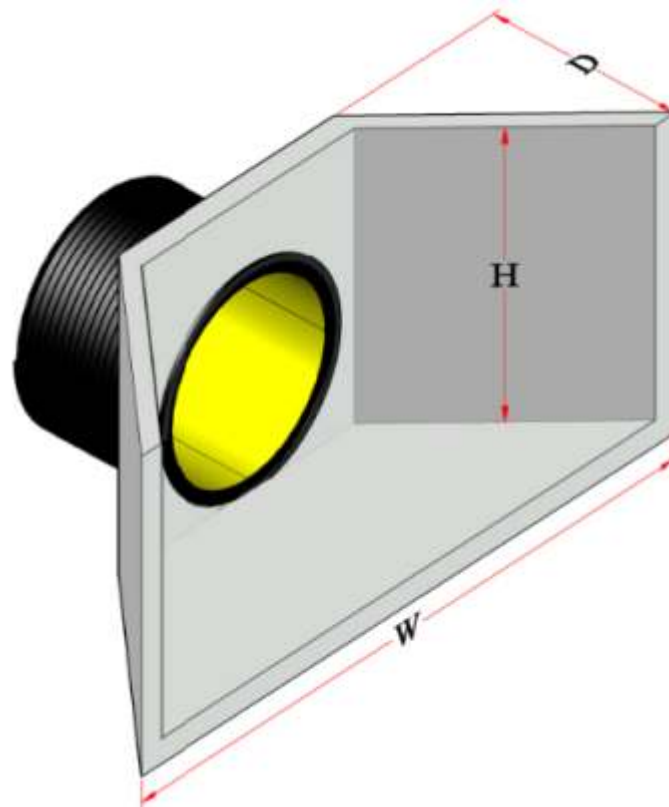
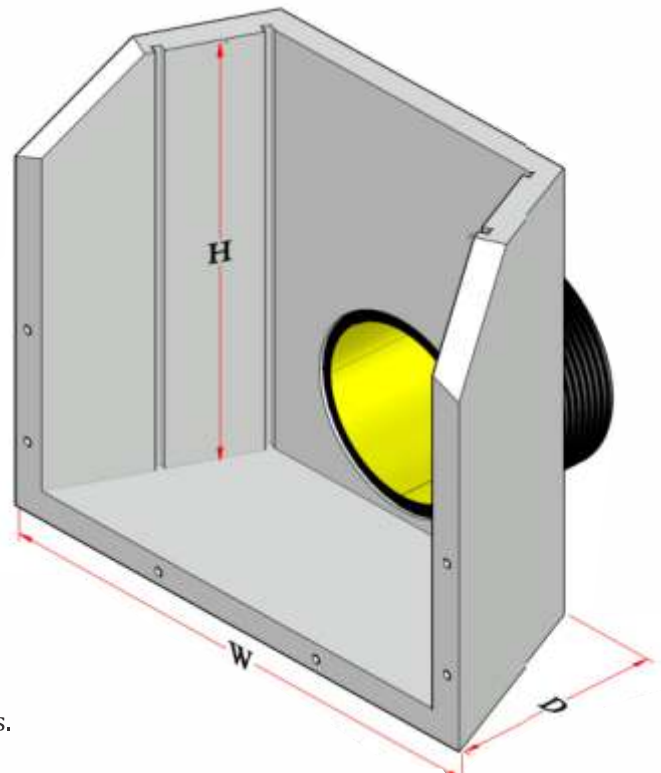
HEADWALLS

PLASTIC PIPE

Milcast's Headwalls with Plastic pipes offer a holistic solution for your on-farm needs. Pipes are cast-in the headwalls, which allow ready-to-use on site and come in ½ meter length. The pipes can be connected seamlessly via Rubber-Ring Joints.

Product Features

- Quick installation
- Welded pipes ensure leakage free operation.
- Enhanced flexibility for joints and pipe connections.

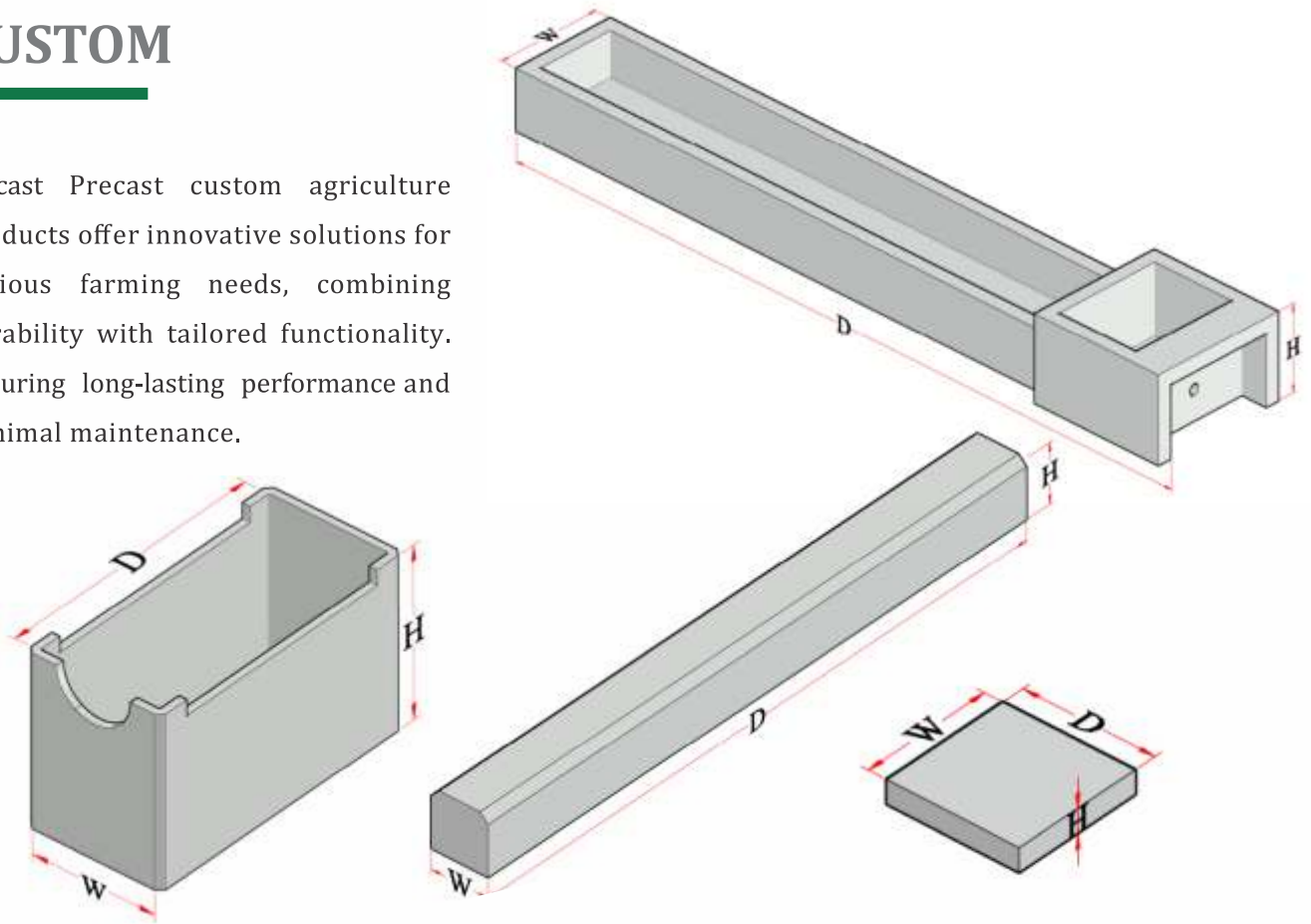


Note: Custom Headwalls with Plastic Pipes – For more information and pricing, please contact the office.

AGRICULTURE

CUSTOM

Milcast Precast custom agriculture products offer innovative solutions for various farming needs, combining durability with tailored functionality. Ensuring long-lasting performance and minimal maintenance.



STOCK CODE	DESCRIPTION	WIDTH (mm)	DEPTH (mm)	HEIGHT (mm)	WEIGHT (Approx.)
C29	DRAINAGE SUMP - SUITABLE FOR LOW FLOW DRAINAGE BUBBLERS	450	950	550	290 KGS
WT1	WATER TROUGH: 5500 LONG WITH LID - HOLDS UPTO 1,000L.	800	5500	575	1700 KGS
SILOFT	SILO FOOTING	350	3800	350	1200 KGS
PAD1	CONCRETE PAD	450	225	55	14 KGS
PAD2	CONCRETE PAD	450	450	75	38 KGS
PAD2GC	CONCRETE PAD	750	350	65	43 KGS
PAD3	CONCRETE PAD	900	300	75	51 KGS
PAD4	CONCRETE PAD	800	800	50	80 KGS
PADHW	CONCRETE PAD	600	600	65	59 KGS
PAD6	CONCRETE PAD	300	300	75	17 KGS

AUTOMATION

MILCAST – WISA AUTOMATION

Milcast is proud to present WISA Automation. Provide reliable, cost-effective farm automation systems across Australia, designed for strong performance in remote and challenging environments.

Our solutions use UHF communication for greater stability than standard cellular or Wi-Fi systems, with flexible integration where needed.

WISA Solutions

- Channel gates and stops
- Pipe and riser systems
- Irrigation and fertigation valves
- Pump controllers
- Sensor integration (soil moisture, weather, channel levels & more)



SMART IRRIGATION
AUTOMATION



REMOTE MONITORING
& CONTROL



RUGGED & RELIABLE
DESIGN



SOLAR POWERED
SOLUTIONS



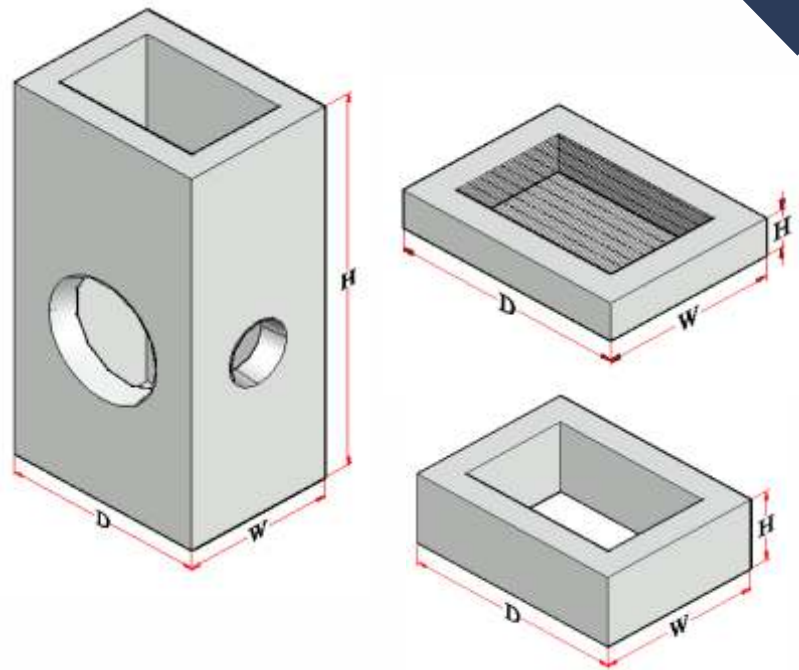
CUSTOM



VICROADS

PITS / RISERS / LIDS

Milcast – VicRoads Junction Pits offer a diverse range of options for Rail and Road infrastructure projects. Pits are Class-D load rated for Road and Railway applications to ensure long-lasting durability and unmatched excellence.



Product Features

- **Flexible Design & Custom Pipe Connections:** Built as standalone pits or combine pit base and riser sections to achieve the required height. Tapered bungs to suit Milcast pipes or fully customized to match your specified diameter.
- **Standards Compliance:** Designed to meet AS3600, AS5100, VicRoads, Class D (AS3996:2019), and 300 LA Railway Loading requirements.
- **Compatibility:** Fully suited for VicRoads junction pit lids for seamless integration.
- **Safety Assurance:** Step irons installed in accordance with VicRoads Specification (VIC SD1041 C)

STOCK CODE	I.D. (mm)	DESCRIPTION	WIDTH (mm)	DEPTH (mm)	HEIGHT (± RISER) (mm)	WEIGHT
MC-P600 X 900	600W X 900D	P600 X 900 PIT - SUITS UP TO 300 / 600MM DIA. CONCRETE PIPE	900	1200	500-2300	-
MC-P600 X 900/R		P600 X 900 RISER – SUITS P600 X 900 PIT	900	1200	-	-
PC9060D		P600 X 900 PIT COVER - (CLASS D) (CONCRETE ENCASED)	900	1200	200	-
MC-P900	900W X 900D	P900 X 900 PIT - SUITS UP TO 600MM DIA. CONCRETE PIPE	1200	1200	500-3100	-
MC-P900/R		P900 X 900 RISER – SUITS P900 X 900 PIT	1200	1200	-	-
PC90D		P900 X 900 PIT COVER - (CLASS D) (CONCRETE ENCASED)	1200	1200	200	-
MC-P1000 X 750	1000W X 750D	P1000 X 750 PIT - SUITS UP TO 675 / 450MM DIA. CONCRETE PIPE	1300	1050	500-2800	-
MC-P1000 X 750/R		P1000 X 750 RISER – SUITS P1000 X 750 PIT	1300	1050	-	-
MC-P1500 X 900	1500W X 900D	P1500 X 900 PIT – SUITS UPTO 1200 / 600MM DIA. CONCRETE PIPE	1800	1200	500-2800	-
MC-P1500 X 900/R		P1500 X 900 RISER – SUITS P1500 X 900 PIT	1800	1200	-	-

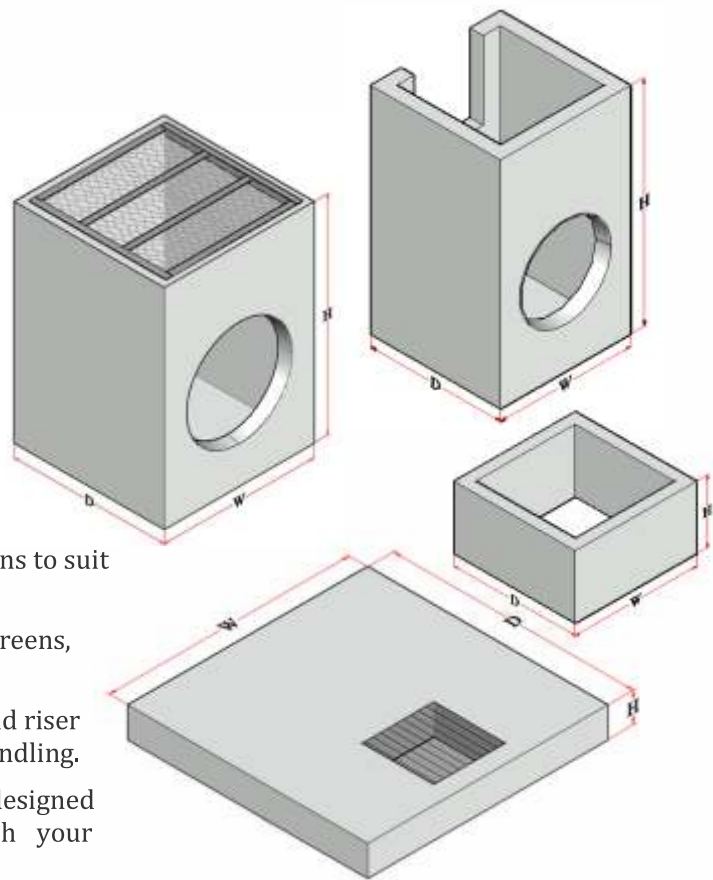
IRRIGATION

PITS / RISERS / LIDS

At Milcast, we pride ourselves on our ability to supply affordable irrigation pits, suitable for every project. Our pits are compliant with AS 3600. Find the perfect pit for your project and then call us for a customized shop drawing.

Product Features

- **Flexible Block-Out Options:** Adaptable designs to suit various project requirements.
- **Custom Add-Ons:** Incorporate doors, trash screens, and pit lids for enhanced functionality.
- **Modular Construction:** Split pits into base and riser sections to reduce unit weight and simplify handling.
- **Tailored Pipe Connections:** Tapered bungs designed for Milcast pipes or customized to match your specified diameter.



STOCK CODE	I.D. (mm)	DESCRIPTION	WIDTH (mm)	DEPTH (mm)	HEIGHT (mm)	WEIGHT
MC-P110	1080W X 1080D	P110 PIT - SUITS UP TO 750MM DIA. CONCRETE PIPE	1280	1280	1300 - 3400	-
MC-P110/R		P110 RISER - SUITS P110 PIT	1280	1280	300 - 3400	-
PC110		P110 PIT COVER - GALVANISED	-	-	-	-
PCC110		P110 PIT COVER - CONCRETE ENCASED	-	-	-	-
MC-P120	1200W X 1200D	P120 PIT - SUITS UP TO 900MM DIA. CONCRETE PIPE	1500	1500	1300 - 3700	-
MC-P120/R		P120 RISER - SUITS P120 PIT	1500	1500	300 - 3700	-
PC120		P120 PIT COVER - GALVANISED	-	-	-	-
PCC120		P120 PIT COVER - CONCRETE ENCASED	1500	1500	250	-
MC-P140	1400W X 1400D	P140 PIT - SUITS UP TO 1050MM DIA. CONCRETE PIPE	1700	1700	1300 - 3700	-
MC-P140/R		P140 RISER - SUITS P140 PIT	1700	1700	300 - 3700	-
PC140		P140 PIT COVER - GALVANISED	-	-	-	-
PCC140		P140 PIT COVER - CONCRETE ENCASED	1700	1700	250	-

I.D. (mm)	STOCK CODE	DESCRIPTION	WIDTH (mm)	DEPTH (mm)	HEIGHT (mm)	WEIGHT
1700W X 1700D	MC-P170	P170 PIT - SUITS UP TO 1200MM DIA. CONCRETE PIPE	2000	2000	1900-3700	-
	MC-P170/R	P170 RISER – SUITS P170 PIT	2000	2000	300 - 3700	-
	PC170	P170 PIT COVER - GALVANISED	-	-	-	-
	PCC170	P170 PIT COVER – CONCRETE ENCASED	2000	2000	250	-
2000W X 2000D	MC-P200	P200 PIT - SUITS UP TO 1350MM DIA. CONCRETE PIPE	2300	2300	1900 - 3700	-
	MC-P200/R	P200 RISER – SUITS P200 PIT	2300	2300	300 - 3700	-
	PC200	P200 PIT COVER - GALVANISED	-	-	-	-
	PCC200	P200 PIT COVER – CONCRETE ENCASED	-	-	-	-
2600W X 2600D	MC-P260	P260 PIT - SUITS UP TO 1500MM DIA. CONCRETE PIPE	2600	2600	1800 - 3700	-
	MC-P260/R	P260 RISER – SUITS P140 PIT	2600	2600	300 - 3700	-
	PC260	P260 PIT COVER - GALVANISED	-	-	-	-
	PCC260	P260 PIT COVER – CONCRETE ENCASED	-	-	-	-

OPTIONAL ADDITIONS

STOCK CODE	DESCRIPTION
TS	CUSTOM TRASH SCREEN FITTED TO BUNGS OR BLOCK-OUTS, REDUCES DEBRIS IN PITS AND PIPES.
SLD / SLIDE DOOR	CUSTOM SCREW LIFT DOOR FOR LARGE BLOCK-OUTS / PIPE BUNGS TO ALLOW FOR EASY GATE LIFTS OR CAST IN OR BOLT ON OPTIONS FOR SMALLER BLOCKOUTS AVAILABLE.
RUBBER DOOR	CUSTOM RUBBER DOOR AND WINCH – FITTED TO BLOCKOUT. MAXIMUM SIZE IS 1200MM WIDE X 900MM HIGH.
COLLAR BLOCK WITH PUDDLE/ WEEP FLANGE	COLLAR BLOCK INCLUDING PIPE AND PUDDLE FLANGE TO SUIT CONNECTION TYPE PITS
ENGINEERING DESIGN APPROVALS	ENGINEERING DESIGN APPROVALS FOR CUSTOM DESIGNS (3 rd PARTY).
FERRULES / STEP IRONS	MULTIPLE SIZES – ALLOW FOR EASY INSTALLATION OF STARTER BARS OR BOLT-ON EXTRAS. STEP IRONS INSTALLED IN ACCORDANCE WITH VIC ROADS SD 1041 C

HOW TO ORDER

CALL IN OR SEE US TO GET THE BALL ROLLING

CHOOSE YOUR PITS/RISERS DIMENSIONS

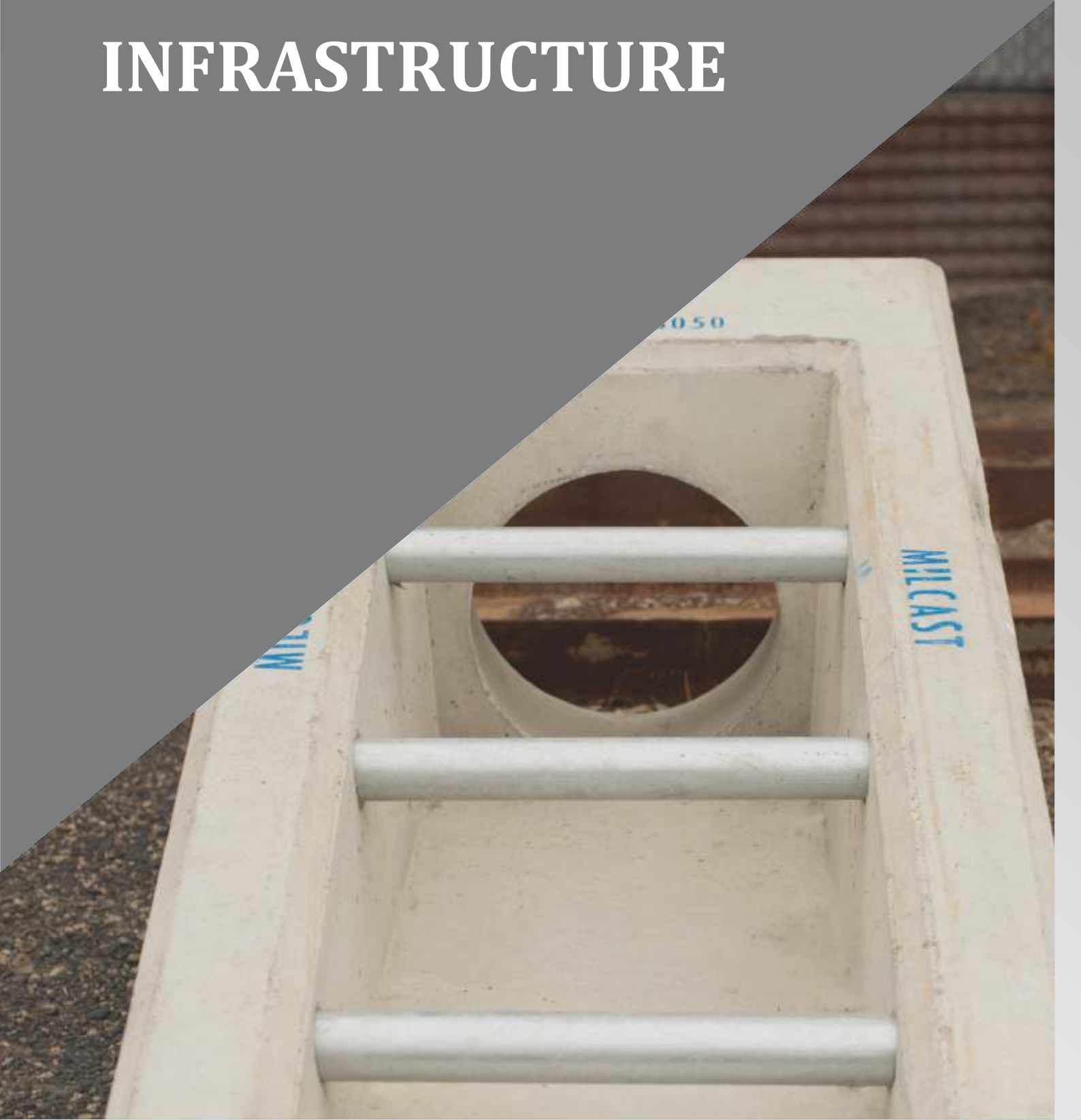
SELECT YOUR BUNGS & BLOCK-OUTS

ADD ANY ADDITIONAL FEATURES

GET YOUR CUSTOMISED DRAWING & QUOTE



INFRASTRUCTURE

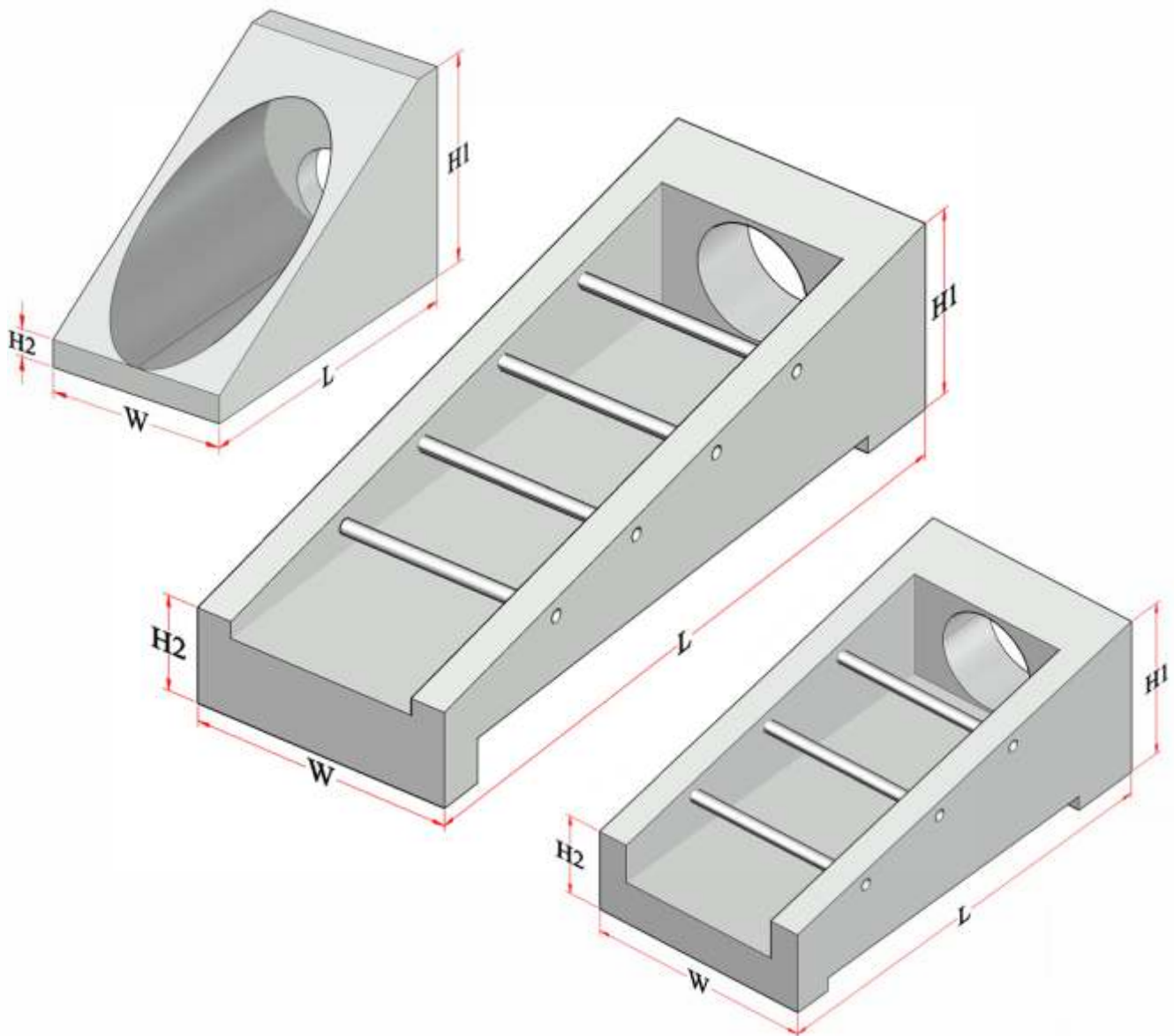


DRIVEABLE ENDWALLS

Milcast's Drivable Endwalls are engineered for safe vehicle access over culvert openings while providing structural stability and erosion control. Designed to comply with As 3600 and load standards, these Endwalls combine durability with ease of installation for civil, rural, and infrastructure projects.

Product Features

- **Vehicle-Friendly Design:** Smooth transition for cars, trucks, and machinery.
- **Precast Construction:** Manufactured for consistent quality and quick installation.
- **Erosion Control:** Protects embankments and culvert ends from washouts.
- **Load Compliant:** Meets AS3600 and heavy vehicle load requirements.
- **Construction Compliance:** Constructed as per **VicRoads Standard SD1991/A**.



Note: For more information and pricing, please contact the office.

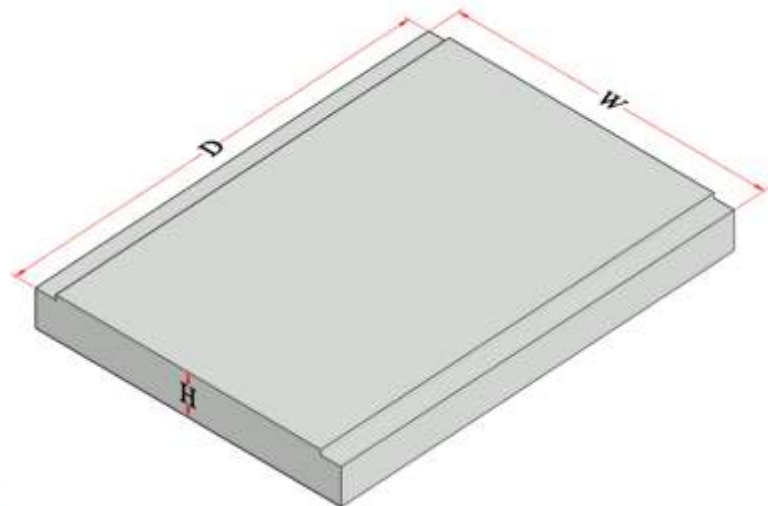
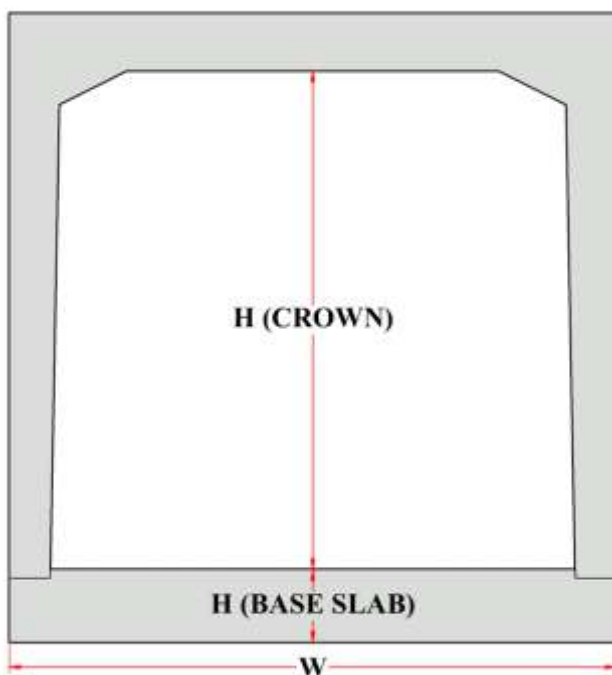
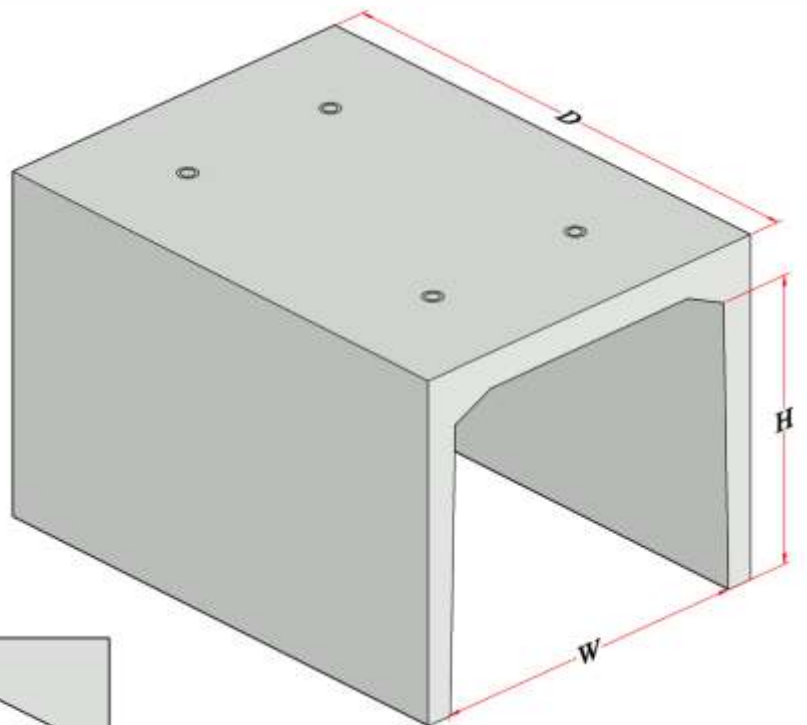
BOX CULVERTS

(AS 1597.1 & AS 1597.2)

Milcast's precast concrete box culverts are precision-engineered structural units designed to support efficient water conveyance and underground passage systems. They offer superior durability, dimensional accuracy, and load-bearing capacity and are ideal for applications such as stormwater drainage, road and rail crossings, utility tunnels, and pedestrian underpasses. With rapid installation, minimal maintenance, and long service life, Milcast's box culverts provide a reliable and cost-effective solution for modern infrastructure needs.

Product Features

- **Modular Design:** Available in various sizes and configurations, allowing flexibility in design and easy assembly on-site.
- **Durability:** High strength and resistance to environmental factors like corrosion, abrasion, and freeze-thaw cycles.
- **Hydraulic Efficiency:** Smooth internal surfaces improve water flow and reduce sediment buildup.



STOCK CODE	DESCRIPTION	WIDTH	DEPTH	HEIGHT	UNIT WEIGHT (T)
BC-SCU-300-225-1200	BOX CULVERT SMALL CROWN UNIT	300	225	1200	0.25
BC-SCU-450-300-1200	BOX CULVERT SMALL CROWN UNIT	450	300	1200	0.34
BC-SCU-450-450-1200	BOX CULVERT SMALL CROWN UNIT	450	450	1200	0.39
BC-SCU-600-300-1200	BOX CULVERT SMALL CROWN UNIT	600	300	1200	0.42
BC-SCU-600-450-1200	BOX CULVERT SMALL CROWN UNIT	600	450	1200	0.49
BC-SCU-600-600-1200	BOX CULVERT SMALL CROWN UNIT	600	600	1200	0.56
BC-SCU-900-300-1200	BOX CULVERT SMALL CROWN UNIT	900	300	1200	0.64
BC-SCU-900-450-1200	BOX CULVERT SMALL CROWN UNIT	900	450	1200	0.71
BC-SCU-900-600-1200	BOX CULVERT SMALL CROWN UNIT	900	600	1200	0.81
BC-SCU-900-750-1200	BOX CULVERT SMALL CROWN UNIT	900	750	1200	0.86
BC-SCU-900-900-1200	BOX CULVERT SMALL CROWN UNIT	900	900	1200	0.96
BC-SCU-1200-300-1200	BOX CULVERT SMALL CROWN UNIT	1200	300	1200	0.86
BC-SCU-1200-450-1200	BOX CULVERT SMALL CROWN UNIT	1200	450	1200	0.98
BC-SCU-1200-600-1200	BOX CULVERT SMALL CROWN UNIT	1200	600	1200	1.03
BC-SCU-1200-750-1200	BOX CULVERT SMALL CROWN UNIT	1200	750	1200	1.13
BC-SCU-1200-900-1200	BOX CULVERT SMALL CROWN UNIT	1200	900	1200	1.2
BC-LCU-450-300-2430	BOX CULVERT LARGE CROWN UNIT	450	300	2430	0.84
BC-LCU-450-450-2430	BOX CULVERT LARGE CROWN UNIT	450	450	2430	1.01
BC-LCU-450-300-1200	BOX CULVERT LARGE CROWN UNIT	450	300	1200	0.41
BC-LCU-450-450-1200	BOX CULVERT LARGE CROWN UNIT	450	450	1200	0.5
BC-LCU-600-300-2440	BOX CULVERT LARGE CROWN UNIT	600	300	2440	1.09
BC-LCU-600-450-2440	BOX CULVERT LARGE CROWN UNIT	600	450	2440	1.28
BC-LCU-600-600-2440	BOX CULVERT LARGE CROWN UNIT	600	600	2440	1.45
BC-LCU-900-300-2440	BOX CULVERT LARGE CROWN UNIT	900	300	2440	1.51
BC-LCU-900-450-2440	BOX CULVERT LARGE CROWN UNIT	900	450	2440	1.69
BC-LCU-900-600-2440	BOX CULVERT LARGE CROWN UNIT	900	600	2440	1.87
BC-LCU-900-900-2440	BOX CULVERT LARGE CROWN UNIT	900	900	2440	2.2
BC-LCU-1200-300-2440	BOX CULVERT LARGE CROWN UNIT	1200	300	2440	2.03
BC-LCU-1200-450-2440	BOX CULVERT LARGE CROWN UNIT	1200	450	2440	2.24
BC-LCU-1200-600-2440	BOX CULVERT LARGE CROWN UNIT	1200	600	2440	2.53
BC-LCU-1200-900-2440	BOX CULVERT LARGE CROWN UNIT	1200	900	2440	2.79
BC-LCU-1200-1200-2440	BOX CULVERT LARGE CROWN UNIT	1200	1200	2440	3.19

BS-SU-300-1200	BASE SLAB SMALL UNIT	300	1200	300	0.15
BS-SU-450-1200	BASE SLAB SMALL UNIT	450	1200	450	0.2
BS-SU-600-1200	BASE SLAB SMALL UNIT	600	1200	600	0.32
BS-SU-900-1200	BASE SLAB SMALL UNIT	900	1200	900	0.49
BS-SU-1200-1200	BASE SLAB SMALL UNIT	1200	1200	1200	0.74
BS-LU450-2430	BASE SLAB LARGE UNIT	450	2430	450	0.54
BS-LU-600-2440	BASE SLAB LARGE UNIT	600	2440	600	0.59
BS-LU-900-2440	BASE SLAB LARGE UNIT	900	2440	900	0.98
BS-LU-1200-2440	BASE SLAB LARGE UNIT	1200	2440	1200	1.5

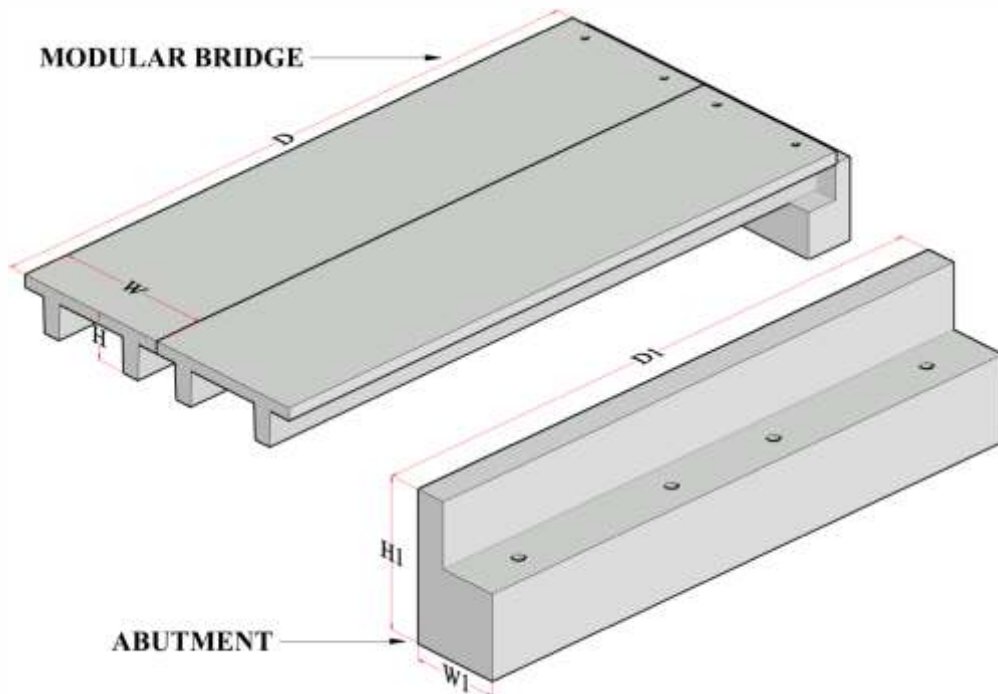
NOTE: Please contact the office for Box Culvert pricing. All additional accessories are provided at additional cost.

MODULAR BRIDGE

Milcast's Modular Bridge system is a versatile, precast solution designed to simplify bridge construction across a wide range of civil and rural applications. Engineered for rapid installation and long-term durability, our modular components offer a cost-effective alternative to traditional bridge building, without compromising on strength or compliance. Whether for vehicle access, pedestrian pathways, or agricultural crossings, Milcast's Modular Bridge delivers performance, reliability, and ease of use.

Product Features

- **Modular Design:** Components are designed for easy transport, handling, and assembly, reducing on-site labor and installation time.
- **High Load Capacity:** Engineered to support heavy vehicle traffic, compliant with relevant structural standards.
- **Durable Materials:** Made with high-strength concrete resistant to weathering, corrosion, and wear.
- **Customisable Configurations:** Available in various spans, widths, and finishes to suit project-specific requirements.
- **Low Maintenance:** Long service life with minimal upkeep, ideal for remote or high-use locations.



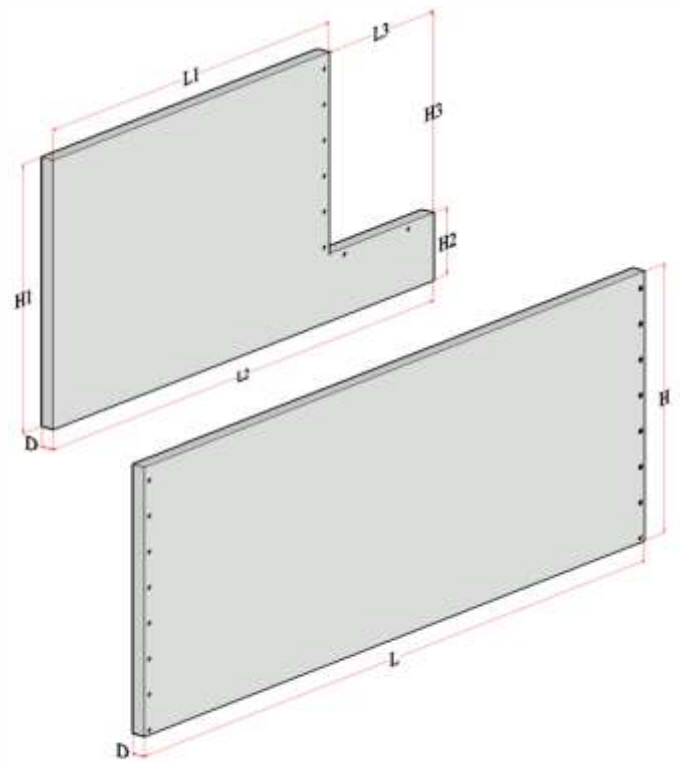
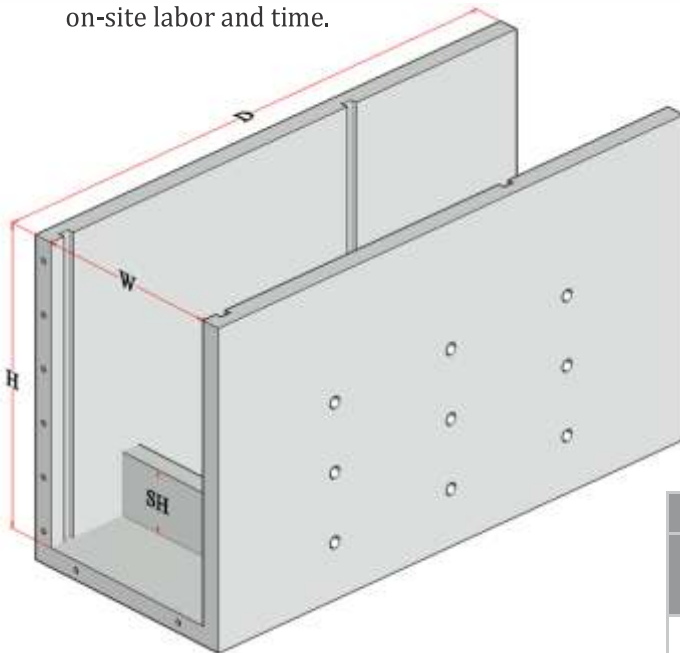
MODULAR BRIDGE WITH ABUTMENT							
STOCK CODE	WIDTH (W) (mm)	W1	DEPTH (D) (mm)	D1	HEIGHT (H)(mm)	H1	UNIT WEIGHT (Approx.)
MB	2500	-	12000	-	745	-	20-35 T
ABT	-	1100	-	5000	-	1700	

FLUMES & PANELS

Flumes	Panels
Milcast's precast concrete flumes are designed to provide efficient water conveyance for irrigation and drainage systems. Manufactured to precise dimensions, our flumes ensure smooth hydraulic flow and long-term durability. They are easy to install, minimize on-site labor, and comply with industry standards for structural integrity.	Milcast's precast panels bolt seamlessly to flumes, forming a strong, integrated structure for water management. Designed for quick installation and long-term durability, these panels offer customisable sizes and finishes, making them ideal for irrigation, drainage, and structural applications.

Product Features

- **Custom Sizes & Compliance:** Available in multiple widths, depths, and lengths. Compliant with AS3600.
- **Quick Installation:** Modular units minimise on-site labor and time.



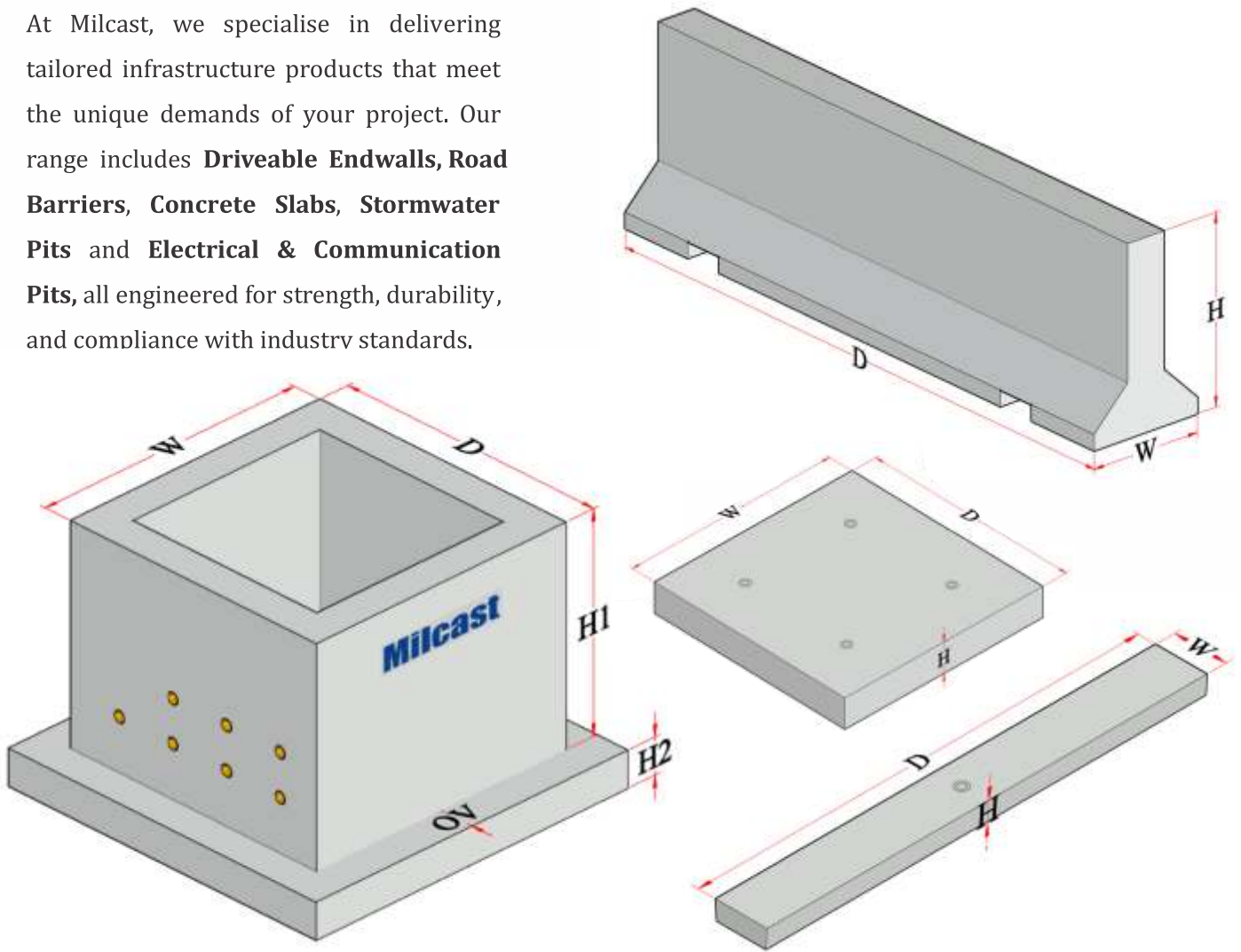
FLUMES					
STOCK CODE	WIDTH (W) (mm)	DEPTH (D) (mm)	HEIGHT (H) (mm)	SILL HEIGHT (SH) (mm)	UNIT WEIGHT
CF-2	450-2700	1000-5500	450-2700	500-2000	-
CF-3					

PANELS										
STOCK CODE	LENGTH (L) (mm)	L1	L2	L3	DEPTH (D) (mm)	HEIGHT (H) (mm)	H1	H2	H3	UNIT WEIGHT
CP-L	-	2000-5500	2500-8000	450-2700	150	450-2700	1500-4600	500-1200	1000-3400	-
CP	3000-8000	-	-	-	150	1000-5000	-	-	-	-

INFRASTRUCTURE

CUSTOM

At Milcast, we specialise in delivering tailored infrastructure products that meet the unique demands of your project. Our range includes **Driveable Endwalls, Road Barriers, Concrete Slabs, Stormwater Pits** and **Electrical & Communication Pits**, all engineered for strength, durability, and compliance with industry standards.



STOCK CODE	DESCRIPTION (incl. OPENING DIMENSIONS)	WIDTH (mm)	DEPTH (mm)	HEIGHT (mm)	WEIGHT (Approx.)
ROAD BARRIER	BARRIER: UN-RATED, SUITABLE FOR REMOVABLE AND SEMI-PERMANENT BARRICADING PURPOSES	570	3000	900	2160 KGS
SLEEPER	CONCRETE SLEEPER 1800 LONG 200 WIDE 80 THICK	200	1800	75	65 KGS
SLAB	CUSTOMISED CONCRETE SLABS. 100MM OR 150MM THICK. FOR HORIZONTAL & VERTICAL APPLICATIONS	-	-	-	-
STORMWATER PITS	TO COLLECT AND MANAGE SURFACE WATER RUN-OFF TO PREVENT FLOODING	-	-	-	-
ELECTRICAL & COMMUNICATION PITS	TO PROTECT AND PROVIDE ACCESS TO UNDERGROUND POWERING AND DATA CABLING	-	-	-	-

PROJECTS

With over 20 years in the pre-cast business, Milcast has successfully delivered numerous projects. Our satisfied customers are a testimony of how outstanding our journey has been. Milcast's ability to cater to custom pre-cast demands has positioned us to be among the top suppliers of precast products in Australia.



MURRUMBIDGEE REGULATOR 1



MURRUMBIDGEE REGULATOR 2



GMW OFF TAKE PIT

CLIENTS & TESTIMONIALS



Murrumbidgee
Irrigation



Murray Irrigation
PIIOP Project

Rukman Yousufi (Site engineer, Offaly Civil)

"Thanks to Milcast team for supplying a shallow offtake and an offtake pit on our GMW and John Holland project in Waaia. The team has been professional, efficient and co-operative at supplying concrete structures with numerous design changes and challenges throughout the duration of the project. We definitely will be using Milcast again to supply our concrete structure."

"We were very pleased with both the quality and the range of products Milcast offered, as well as the ability to custom-make components for our system. I was also impressed with Milcast's ability to meet time schedules and its ability to be able to keep products rolling to keep our contractors going. I was so impressed that I also used Milcast products on my own farm."



Milcast

Murray Hut Drive, PO Box #240,

Finley NSW 2713

sales@milcast.com.au

Phone: 03 5888 3051

Milcast.com.au

